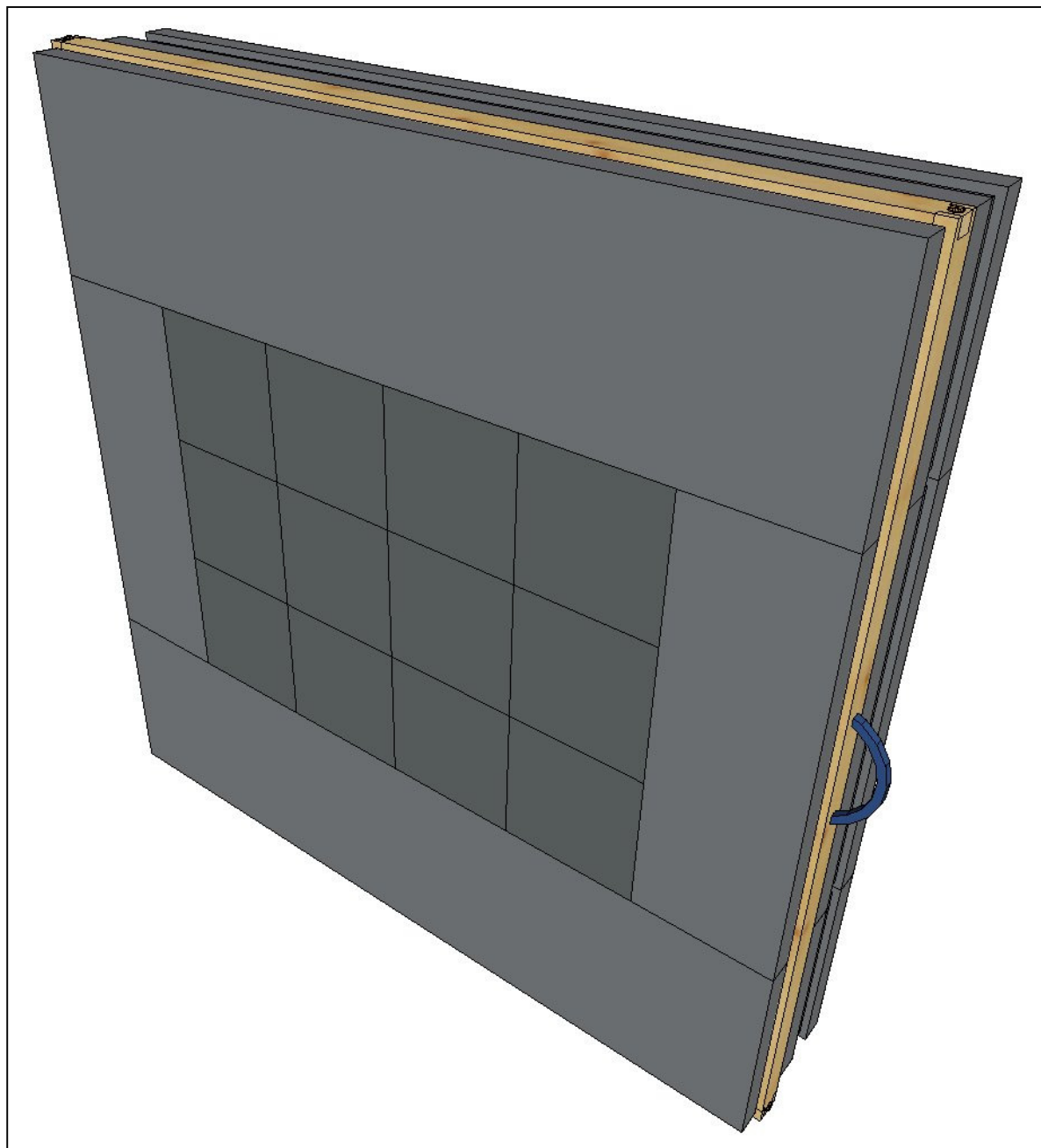
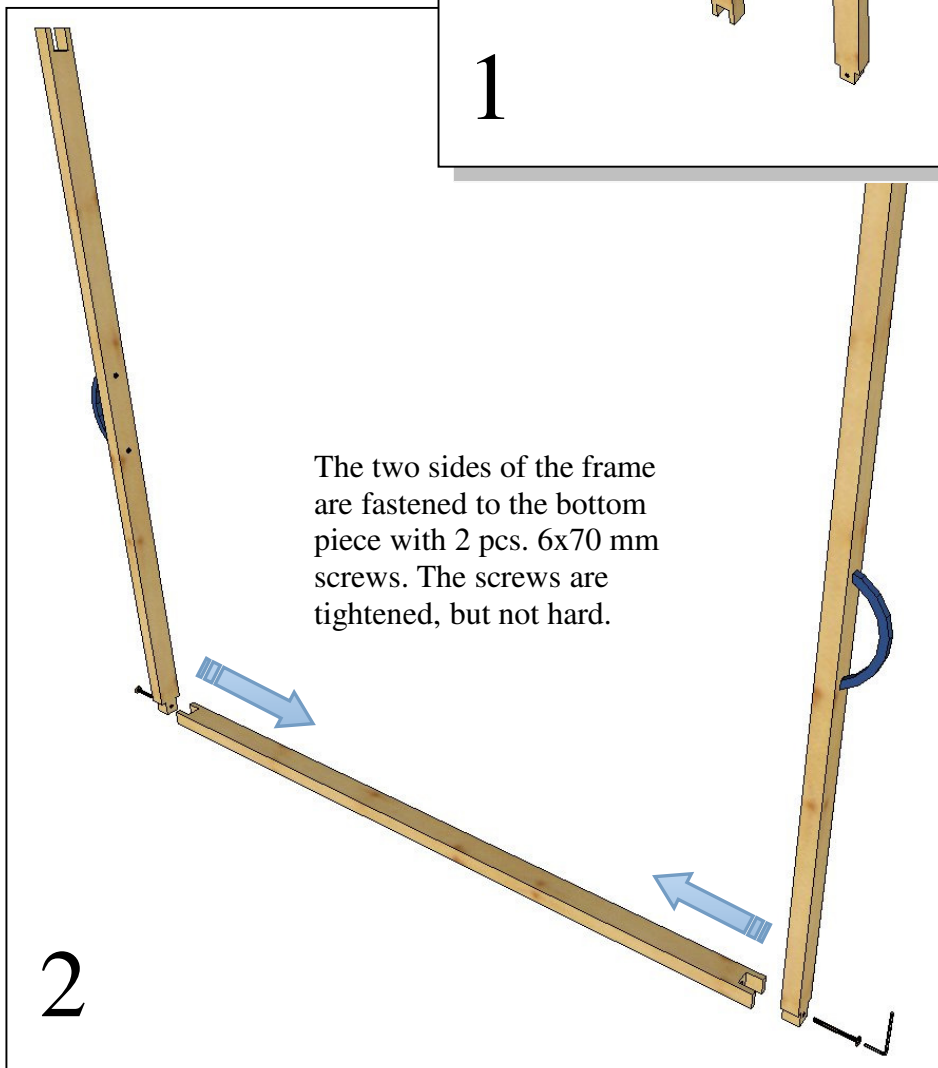
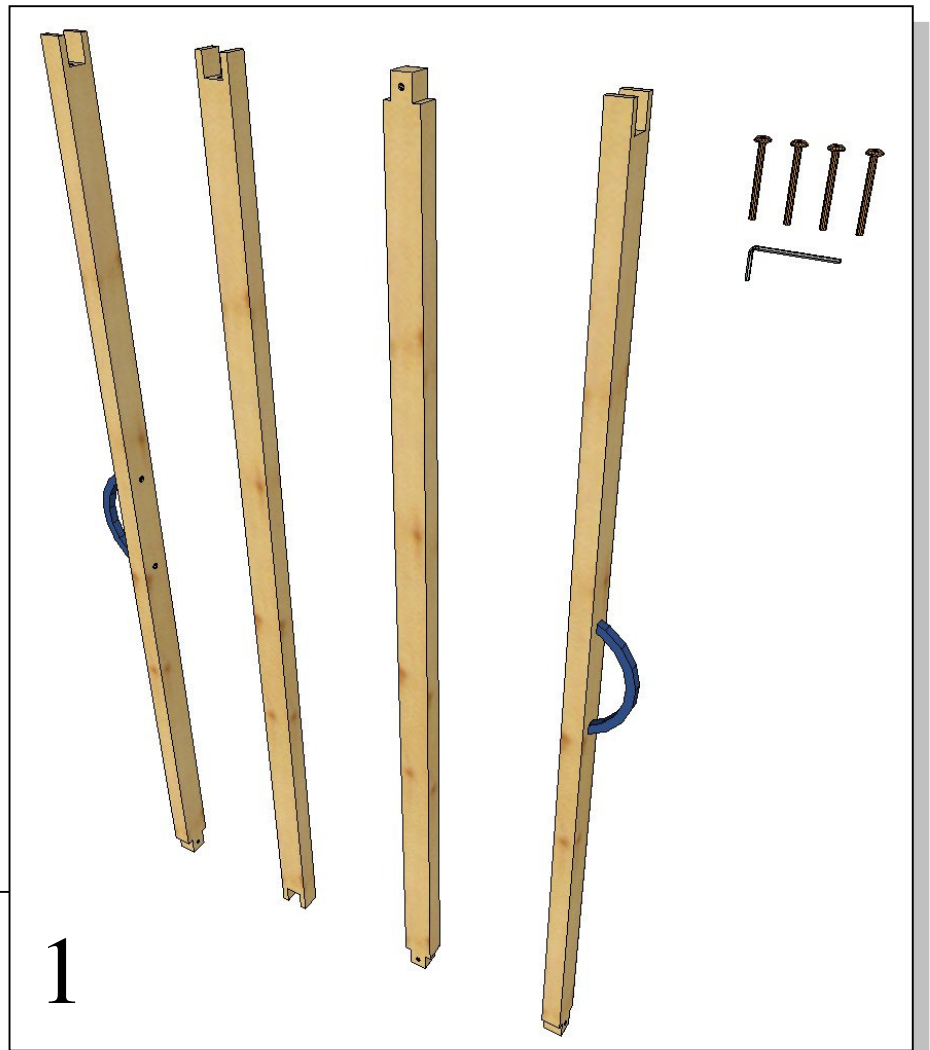


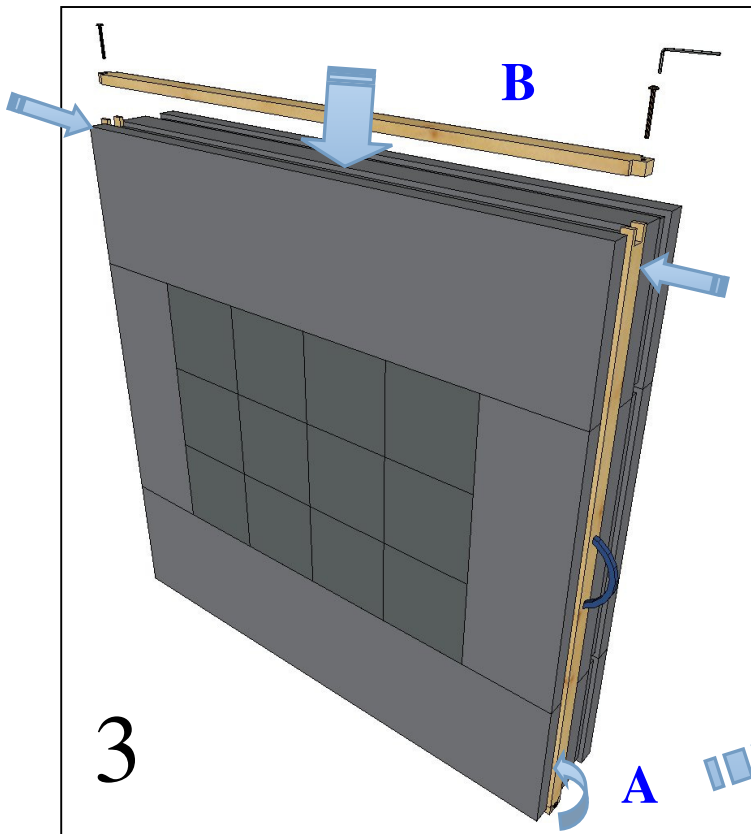
DANAGE DOMINO size A.
General assembly instructions.



Size A Danage frame, here shown with Danage Domino foam modules in a mix between PE-foam modules and UP foam modules.

1. From left to right:
 - Left side of frame.
 - Bottom of frame.
 - Top of frame.
 - Right side of frame.
 - 4 screws, 6x70 mm and 1 unbraco tool.

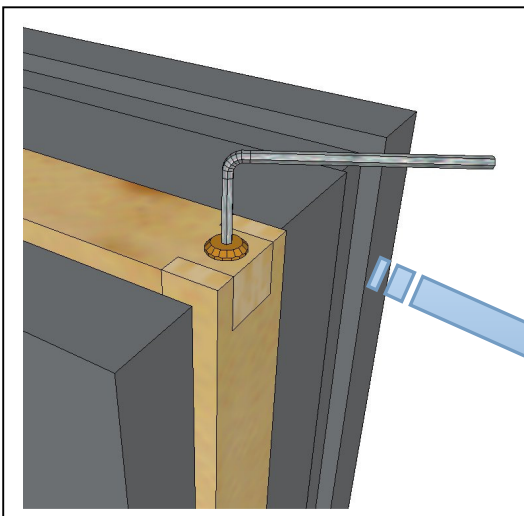
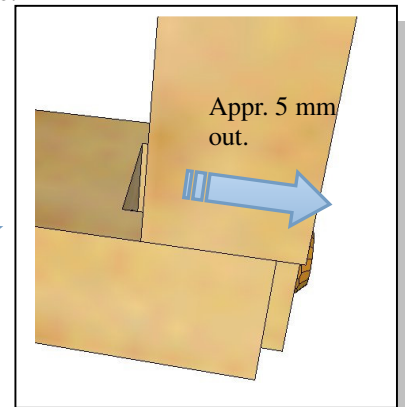




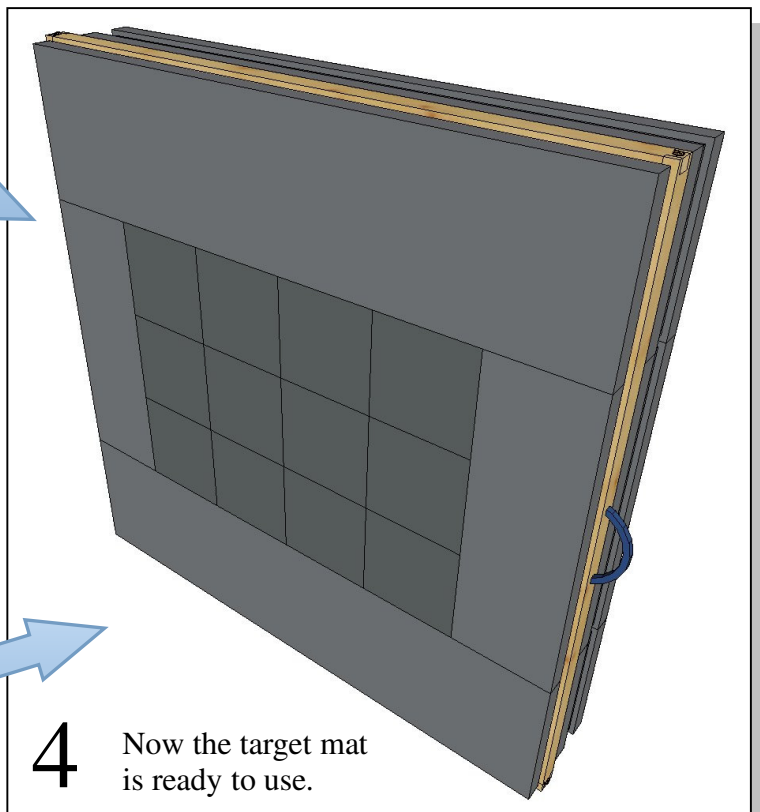
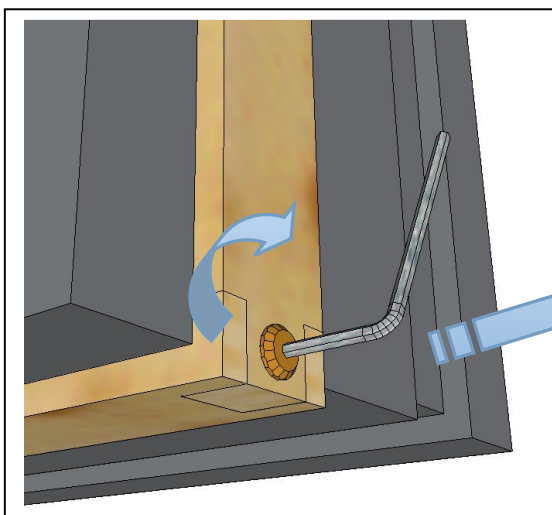
3. The frame is filled with the foam modules.

A. First the screws in the bottom of the frame is loosened, so that the side pieces can be pulled appr. 5 mm out. This makes it easier to mount the top piece.

B. The top piece is mounted. Since the side pieces are not fastened tight to the bottom piece, the side pieces can be adjusted sideways near the top of the frame, so it is easier to mount the screws.



4. All 4 screws are fastened tight and the target mat is now ready to use.



4 Now the target mat is ready to use.